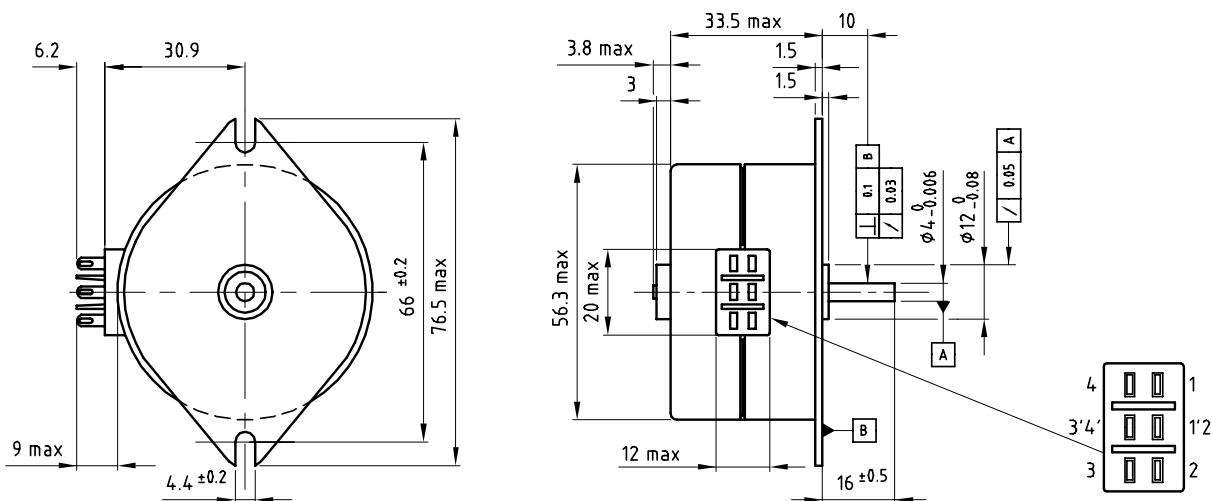


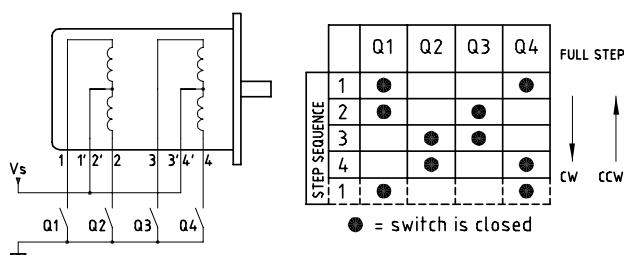
## Dimensional drawing



## Motor data

Motor order number	9904 112 +	35114	35014		35116	35016
Number of phases		4	4		4	4
Drive Electronics		Unipolar	Unipolar		Unipolar	Unipolar
Nominal Voltage	[V]	5	12		5	12
Number of steps per revolution		48	48		48	48
Step angle	[°]	7.5	7.5		7.5	7.5
Step angle tolerance	[°]	± 0.4	± 0.4		± 0.4	± 0.4
Max. working Torque	[mNm]	65	57		80	78
Holding Torque	[mNm]	85	85		100	100
Absorbed power	[W]	5.3	5.3		5.3	5.3
Resistance per phase	[Ohm]	7.7	4.7		7.7	4.7
Inductance per phase	[mH]	65	4.00		65	4.00
Current per phase	[mA]	575	240		575	240
Thermal resistance winding-ambient	[K/W]	10	10		10	10
Rotor Moment of Inertia	[kgm <sup>2</sup> ]	4.5x10 <sup>-6</sup>	4.5x10 <sup>-6</sup>		4.5x10 <sup>-6</sup>	4.5x10 <sup>-6</sup>

## Electrical Connection



## General data

×	Type of bearings	sleeve	
×	Maximum radial load	10	N
×	Maximum axial load	1.5	N
×	Ambient temp. range operating	-20/+70	°C
×	Ambient temp. range storage	-40/+100	°C
×	Mass of motor	300	g

## Product combinations

- × Gearbox S70A (Motor shaft must be φ3x8.2)
- × Gearbox S70B (Motor shaft must be φ3x8.2)